

Getting started guide

Flir Ex series

1.1 Quick Start Guide


1.1.1 Procedure

Follow this procedure:

1. Charge the battery. You can do this in three different ways:
 - Charge the battery using the Flir stand-alone battery charger.
 - Charge the battery using the Flir power supply.
 - Charge the battery using a USB cable connected to a computer.

Note

Charging the camera using a USB cable connected to a computer takes *considerably* longer than using the Flir power supply or the Flir stand-alone battery charger.

2. Push the On/off button  to turn on the camera.
3. Open the lens cap by pushing the lens cap lever.
4. Aim the camera toward your target of interest.
5. Pull the trigger to save an image.

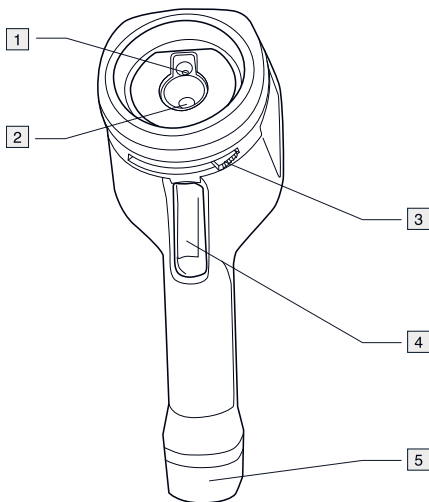
(Optional steps)

6. Install Flir Tools on your computer.
7. Start Flir Tools.
8. Connect the camera to your computer, using the USB cable.
9. Import the images into Flir Tools.
10. Create a PDF report in Flir Tools.

1.2 Description

1.2.1 Camera parts

1.2.1.1 Figure

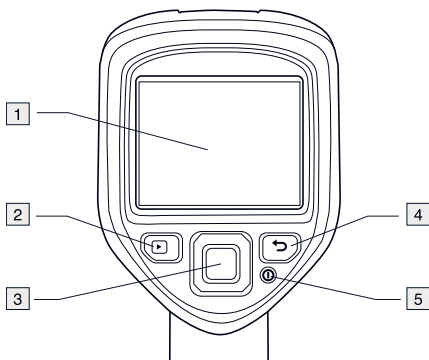


1.2.1.2 Explanation

1. Digital camera lens.
2. Infrared lens.
3. Lever to open and close the lens cap.
4. Trigger to save images.
5. Battery.


1.2.2 Keypad

1.2.2.1 Figure



1.2.2.2 Explanation

1. Camera screen.

2. Archive button .


Function:

- Push to open the image archive.

3. Navigation pad.

Function:

- Push left/right or up/down to navigate in menus, submenus, and dialog boxes.
- Push the center to confirm.

4. Cancel button .

Function:

- Push to cancel a choice.
- Push to go back into the menu system.

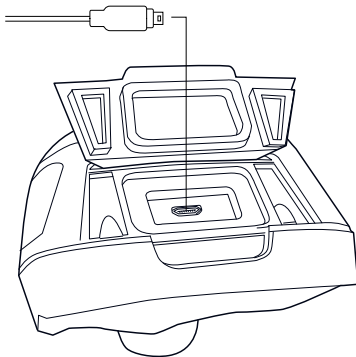
5. On/off button

Function:

- Push to turn on the camera.
- Push and hold for more than 1 second to turn off the camera.

1.2.3 Connectors

1.2.3.1 Figure



1.2.3.2 Explanation

The purpose of this USB mini-B connector is the following:

- Charging the battery using the Flir power supply.
- Charging the battery using a USB cable connected to a computer.

Note

Charging the camera using a USB cable connected to a computer takes *considerably* longer than using the Flir power supply or the Flir stand-alone battery charger.

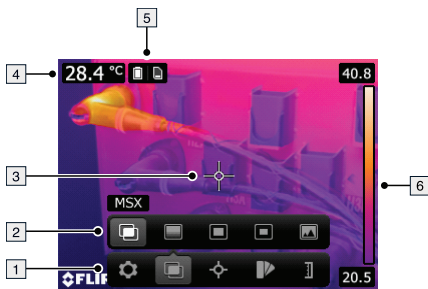
- Moving images from the camera to a computer for further analysis in Flir Tools.

Note

Install Flir Tools on your computer before you move the images.

1.2.4 Screen elements

1.2.4.1 Figure



1.2.4.2 Explanation

1. Main menu toolbar.
2. Submenu toolbar.
3. Spotmeter.
4. Result table.
5. Status icons.
6. Temperature scale.