

PRESSURE WASHER OPERATING INSTRUCTIONS

Pressure washers operate at pressures ranging from 1,000 to 5,000 Pounds Per Square Inch (PSI). Failure to observe these warnings could result in serious personal injury. Operate this equipment only after reading and understanding **ALL** instructions! If you experience any problems, contact the rental center immediately. **ALWAYS** keep hands and feet clear of the cleaning nozzle. **DO NOT ATTEMPT ADJUSTMENTS OR REPAIRS YOURSELF!**

Operating a High-Pressure Washer

1. Check fuel tank and fill with proper fuel. Check oil level in engine and pump. Fill if necessary. Open fuel valve.
2. Attach any accessories to be used. (Check with the store about accessories available and instructions for use.)
3. Connect high pressure hose to the machine and gun valve with quick couplers. Make sure that locking sleeves are in the **LOCKED** position. Failure to properly lock quick coupler sleeves will result in blowing out the quick coupler o-ring seal. Excessive leaking will occur if quick coupler o-ring is missing.
4. Attach a standard garden hose (minimum 3/4-inch I.D.) to the machine and turn on water supply. **DO NOT** use a shallow lawn sprinkling well as a source! **NEVER** start the machine until water is turned on at the faucet and water is flowing from the end of the extension. Then insert desired cleaning nozzle into the extension quick coupler.
5. With cleaning nozzle removed from the gun valve extension, squeeze gun valve trigger and hold open until a smooth flow of water appears. Then close trigger.
6. Start machine. Let it run for 3 minutes without load to warm up.
7. Select desired cleaning nozzle or accessory, and insert into extension quick coupler, making sure locking sleeve is in the **LOCKED** position.
8. Machine is ready for operation. **DO NOT** leave gun valve in a closed position for longer than 5 minutes with machine running. Stop machine to avoid overheating pump.
9. After cleaning job is finished, allow machine to run for one minute without load. Then stop the machine, and turn off the fuel valve. Turn off water at source and open gun valve to release system pressure **BEFORE** disconnecting hoses.

HOSE CONNECTION

Each pressure washer wand should be equipped with an o-ring where the tip is attached to the wand and where the wand attaches to the pressure washer hose. Before putting the tip in the wand or attaching pressure hose please verify that there is indeed an o-ring installed. They often frequently fall out in transport. **If the wand / hose leaks water at the connection you will know that there isn't an o-ring or the o-ring is installed incorrectly.** There are extra o-rings attached to the machine if needed. Insert o-ring in to the hose fitting at an angle, gently push in o-ring into hose, the eraser end of a pencil works well, until the o-ring rests at the bottom of the opening.

TIP SELECTION

The **Red 0-Degree Nozzle** This is a blasting nozzle. It delivers a very concentrated stream of water. Care should be used to avoid gouging wood or damaging fragile surfaces. Uses: Removing weeds from sidewalk cracks, stubborn stains from concrete, masonry, aluminum and steel, caked mud from equipment and cleaning lawn mower undersides.

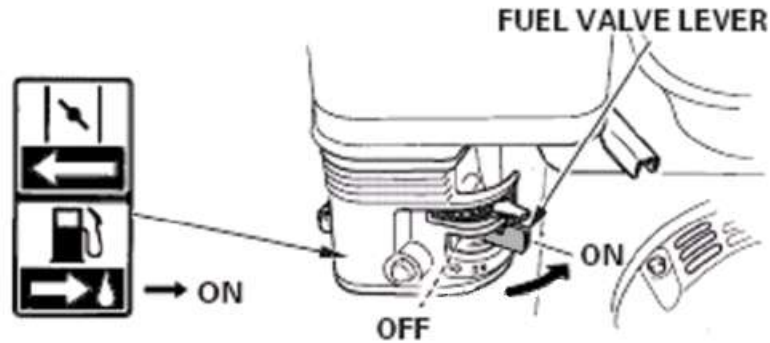
The **Yellow 15-Degree Nozzle** This is a chiseling nozzle. The spray should be directed at a 45-degree angle to the surface and used like a scraper to remove paint, grease and dirt. Uses: Surface preparation (removing peeling paint and mildew stains), cleaning gutters and downspouts.

The **Green 25-Degree Nozzle** This is a flushing nozzle. With a narrower spray pattern than the 40-degree nozzle and with more concentrated spray pressure, this nozzle is best suited for flushing dirt, mud and grime. Uses: Wet-sweeping leaves from walks, curbs, and driveways, cleaning stable floors, washing swimming pool bottoms and blasting barbecue grills.

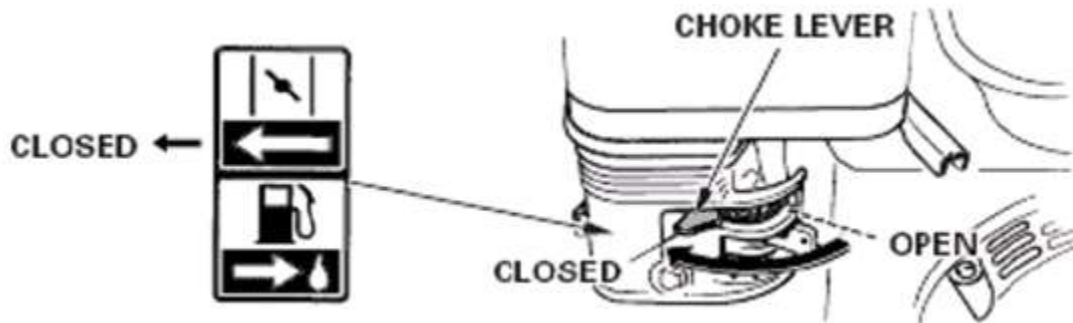
The **White 40-Degree Nozzle** This is a wash nozzle. Its wide spray pattern disperses the water pressure over a large area and is recommended for rinsing and moderate washing. Uses: Washing down aluminum siding, cleaning windows, washing vehicles, spraying sidewalks, driveways and patios.

STARTING THE ENGINE

1. Move the fuel valve lever to ON position. (**to the right**). See the picture below.



2. To start a cold engine, move the choke lever to the CLOSED position (**to the left**) See the picture



Once the engine is started, move the choke to the OPEN position (**to the right**)

To restart a warm engine, leave the choke lever in the OPEN position (**to the right**)

Some engine applications use a remote-mounted choke control rather than the engine-mounted choke lever shown here.

3. Move the throttle lever away from the MIN. position to the MAX. position (**to the left**)

